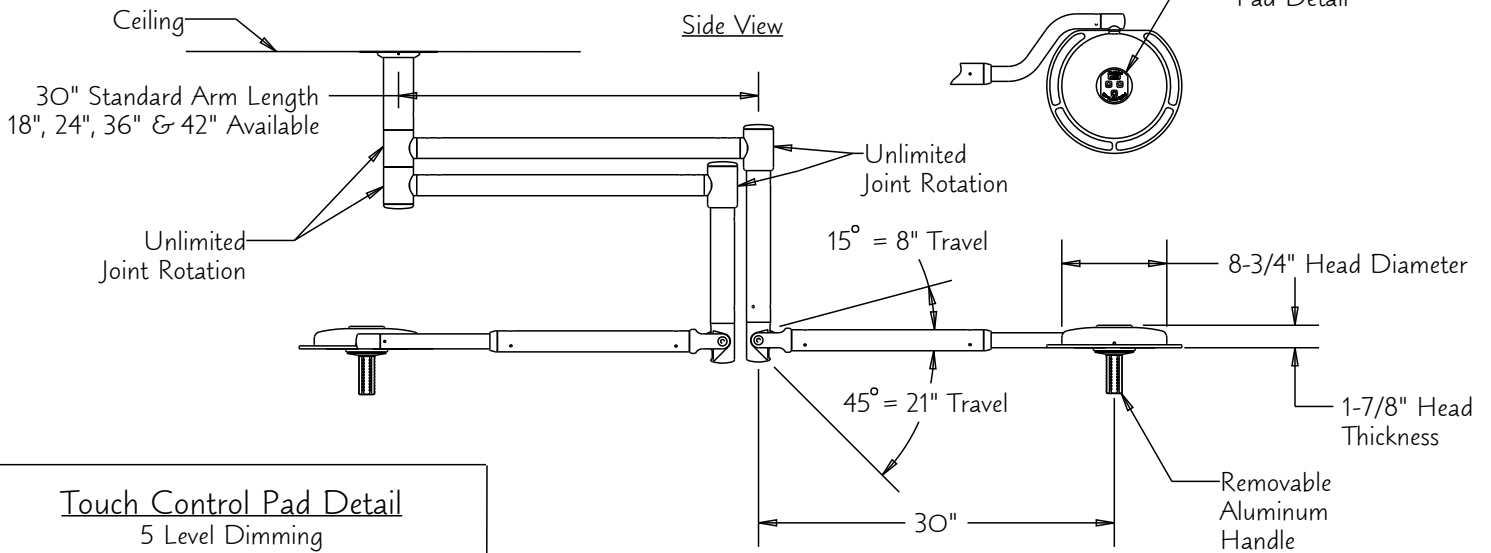
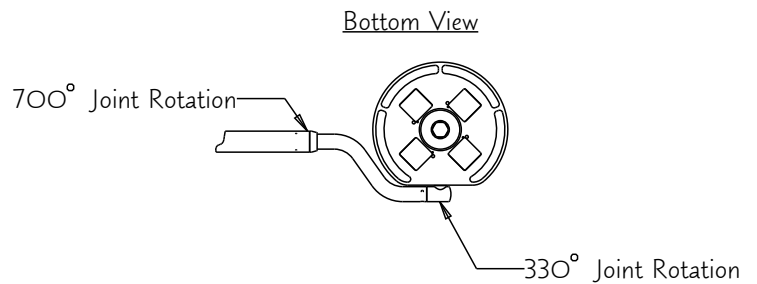
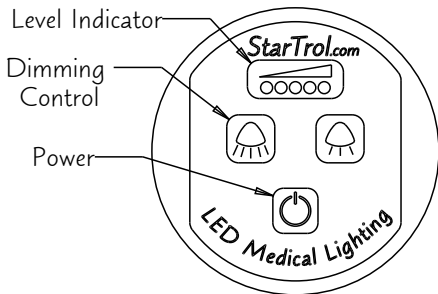


Typical Drop Ceiling Install Galaxy Gen 3 Dual 4-Pod Light



Touch Control Pad Detail 5 Level Dimming



Galaxy Gen3 Dual 4-Pod Specifications

Model Number	4x4-GS2
Input Voltage	100-240 VAC
Input Current	0.67 Amps @ 120 VAC
Input Wattage	80 Watts
Light Output per Head	70,000 Lux @ 1 Meter
Total Light Output	140,000 Lux @ 1 Meter
Moment Load	130 ft-lbs
Max Weight	74 Lbs.
Min. Ceiling Hgt.	96" @ 80" Pivot Hgt
Max. Ceiling Hgt.	148" @ 80" Pivot Hgt

Notes:

1. Customer is responsible for consulting with structural engineer to determine design of support structure.
2. Electrical connections to be completed by licensed electrical contractor in compliance with all local codes.
3. Ceiling Box can also be mounted at finished ceiling height with additional ceiling cover.

Mounting Info

