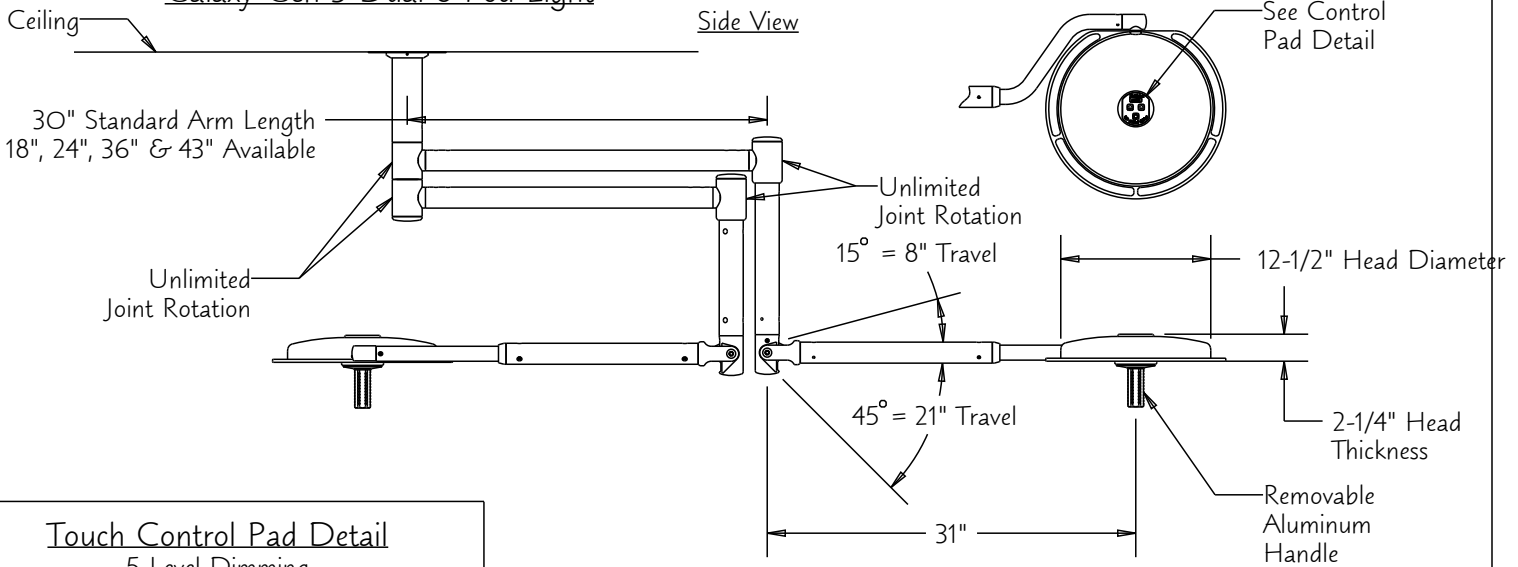
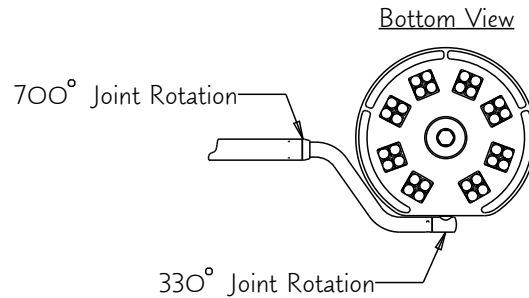
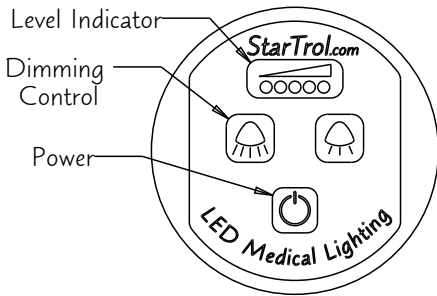


Typical Drop Ceiling Install Galaxy Gen 3 Dual 8-Pod Light



Touch Control Pad Detail 5 Level Dimming



Galaxy Gen3 Dual 8- Pod Specifications

Model Number	8x4-GS2
Input Voltage	100-240 VAC
Input Current	1.3 Amps @ 120 VAC
Input Wattage	160 Watts
Light Output per Head	140,000 Lux @ 1 Meter
Total Light Output	280,000 Lux @ 1 Meter
Moment Load	158 ft-lbs
Max Weight	81 Lbs.
Min. Ceiling Height	96" @ 80" Pivot Hgt.
Max. Ceiling Height	148" @ 80" Pivot Hgt.

Notes:

1. Customer is responsible for consulting with structural engineer to determine design of support structure.
2. Electrical connections to be completed by licensed electrical contractor in compliance with all local codes.
3. Ceiling Box can also be mounted at finished ceiling height with additional ceiling cover.

Mounting Info

